



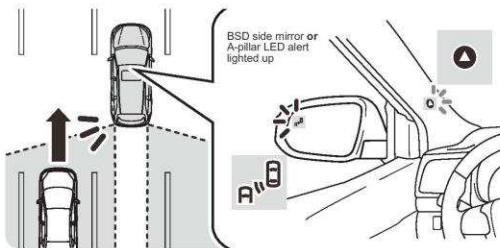
BLIND SPOT DETECTION KIT

Installation Guide

Blind Spot Detection (BSD) kit function

Due to the design limitation of the vehicle frame and side mirror, blind spots exist in the side rear area of the car. The vehicles drive within the blind spot which cannot be directly observed from the side mirror will cause troubles when the driver changing lanes.

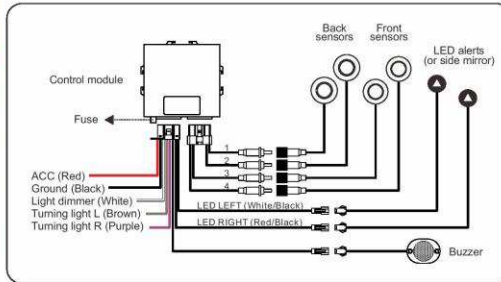
Blind Spot Detection Kit offers steady performance of warning the driver via the lighted LED display alert installed in the A-pillar or the side mirror. LED will be lighted up when system detected relatively faster vehicle drive into the blind spot.



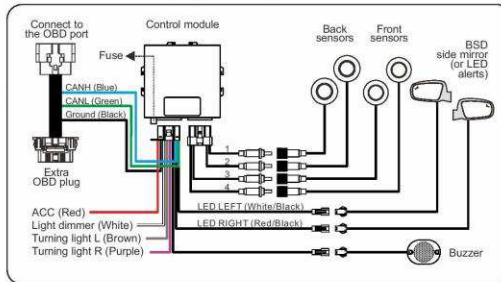
NOTICE:

- *Blind Spot Detection Kit is a warning aid for driver only. It will not help driver with the action of changing lane.
- *According to extreme weather conditions, the system may not function correctly. Therefore the driver's own visual confirmation of safety is necessary. Turn on the emergency flashers to deactivate the warning alert to stop possible incorrect warning caused by the influence.

BSD Kit wiring



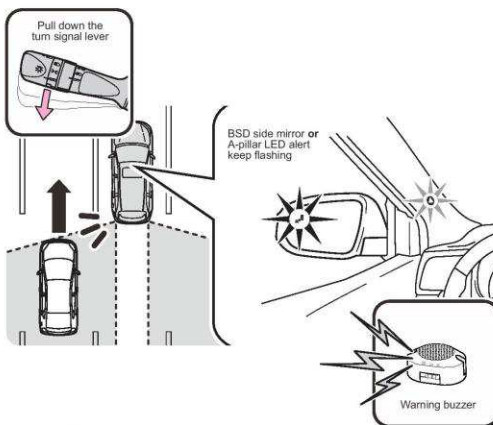
BSD Kit with OBD plugin wiring



NOTICE:

- ***BSD side mirror add-on** and **OBD model** applicative on specific car model only, please check availability with retailer.
- *Only one type of display alert (LED alerts or BSD mirror) included in each model of BSD kit.

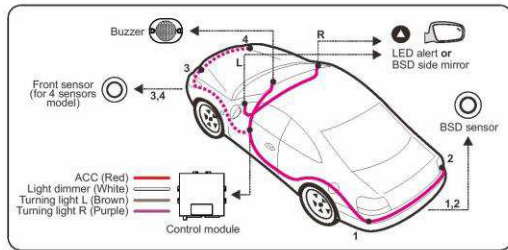
The continuous flashing sign from LED display alert and warning sound from the buzzer will be given when driver indicated to change from the traveling lane to the adjacent lane which detected a relatively faster vehicle driving in the blind spot. The warning will continue until the detected vehicle leave the detection area. The BSD system will only operate at the speed above 15 km/h (4.17 MPH) for OBD plugin model.



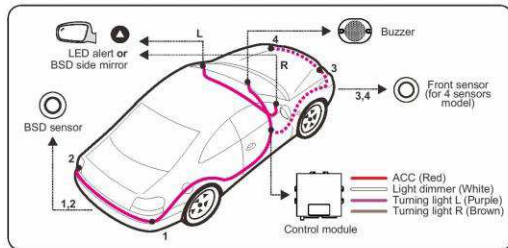
Specifications:

- Working voltage: 12V
- Operation current: 200mA
- Power consumption: 2.4W
- Working temperature: -40°C~+85°C
- Sensor detecting range: 3~3.5 meters

Wiring diagram for LEFT hand drive vehicle



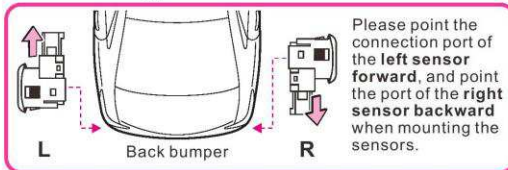
Wiring diagram for RIGHT hand drive vehicle



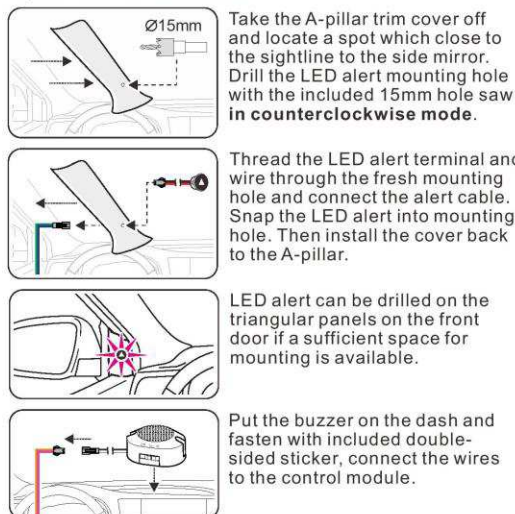
NOTICE:

- *Front sensors (3&4) only included in 4 sensors model BSD kit.
- *The connection way of the turning light wire L/R in LEFT hand drive vehicle is opposite to the RIGHT hand drive vehicle.
- *Sensors cannot be installed with the metal bumper and make sure **no metals nor wires** cover the front side of microwave sensors.

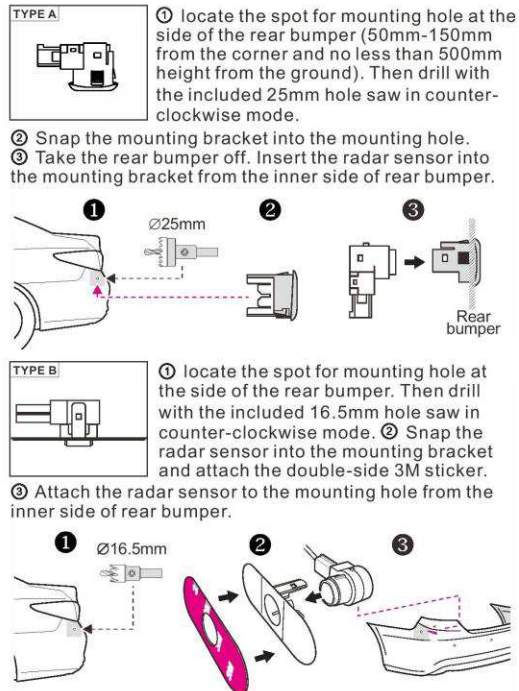
Installation for Type A sensor



A-pillar LED alert installation



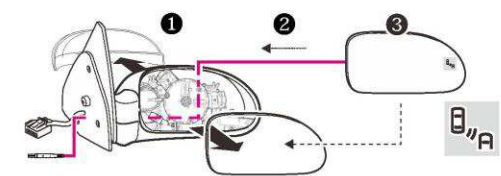
Radar sensor installation



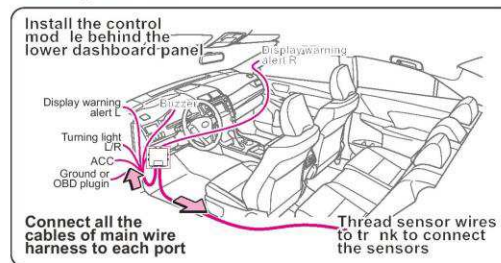
*Only one type of mounting bracket included in each BSD kit.

BSD mirror installation

- Take the exterior side mirror off, remove the original mirror and disassemble the housing.
- Thread the BSD mirror cable through the holder out back to the vehicle.
- Replace the original mirror with the BSD mirror and remount the housing. Then install the exterior mirror back to the car front door. Connect the BSD mirror with the included adapter cable to the main wire harness.

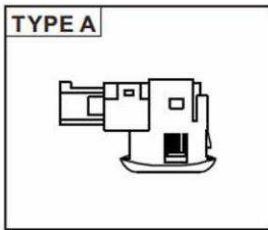


Finishing installation



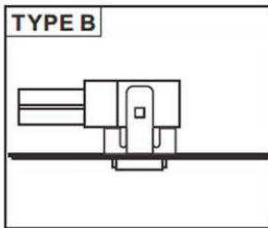
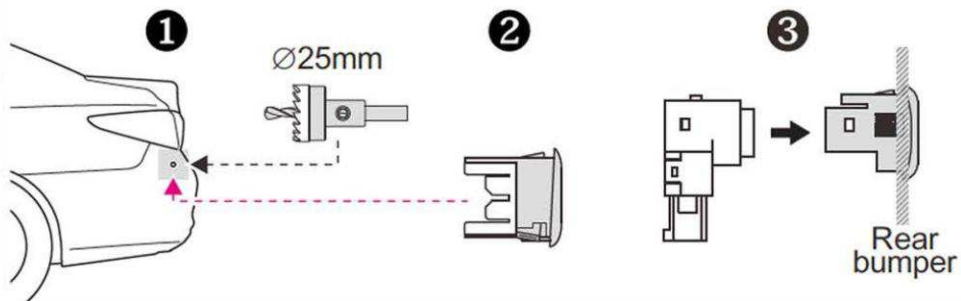
*Please test after completing installation.

SENSOR INSTALLATION



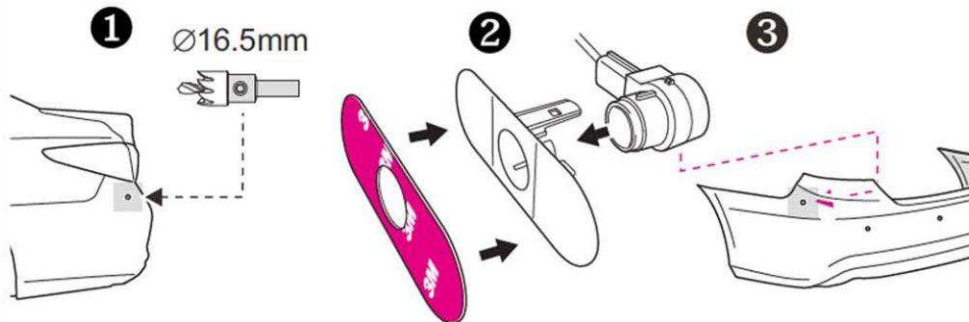
① locate the spot for mounting hole at the side of the rear bumper (50mm-150mm from the corner and no less than 500mm height from the ground). Then drill with the included 25mm hole saw in counter-clockwise mode.

- ② Snap the mounting bracket into the mounting hole.
- ③ Take the rear bumper off. Insert the radar sensor into the mounting bracket from the inner side of rear bumper.



① locate the spot for mounting hole at the side of the rear bumper. Then drill with the included 16.5mm hole saw in counter-clockwise mode. ② Snap the radar sensor into the mounting bracket and attach the double-side 3M sticker.

- ③ Attach the radar sensor to the mounting hole from the inner side of rear bumper.



*Only one type of mounting bracket included in each BSD kit.

Installation for Type A sensor

